



Product Introduction



TNF INEXA INTERIORS



INEXA, a Nordic company, is the global flag company for marine accommodation systems, as well as the manufacturer of the international brand TNF.

The company was established 50 years ago, producing mainly wall and ceiling panels. Later we have expanded the business to include the production of fire doors, inspection doors and wet units.

To meet the growing global demand INEXA China was established in 2005 and is now located in Nantong and Weihai. TNF Group has set up service teams in Denmark, China Nantong and China Weihai to provide the best technical solutions. INEXA is committed to research and can deliver customized solutions, providing our customers with high quality, high standard and diversified marine interior products, jointly creating a new situation of win-win cooperation.

INEXA is committed to reducing CO₂-emissions. We have commissioned and received the necessary calculations for CO₂-emissions regarding our primary product to aid in further future reductions.

The company is operated by TNF quality system and has certified according to ISO9001-ISO14001-ISO45001 by the DNV.



**THE ORIGINAL
MARINE
ACCOMMODATION
SYSTEM**



CONTENTS



01 WALL PANELS.....01

02 CEILINGS.....14

03 FIRE DOORS.....23

04 WET UNITS.....39

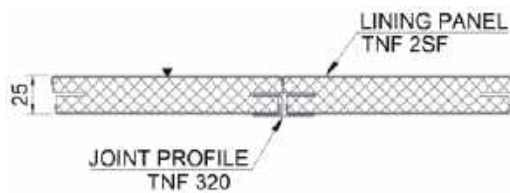
05 PREFABRICATED CABINS.....43

PART 01

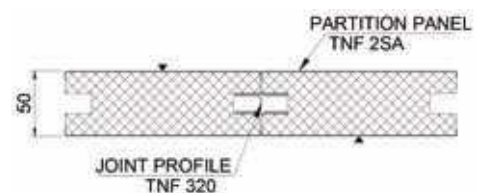
Wall Panels Product Introduction

2S Wall Panels

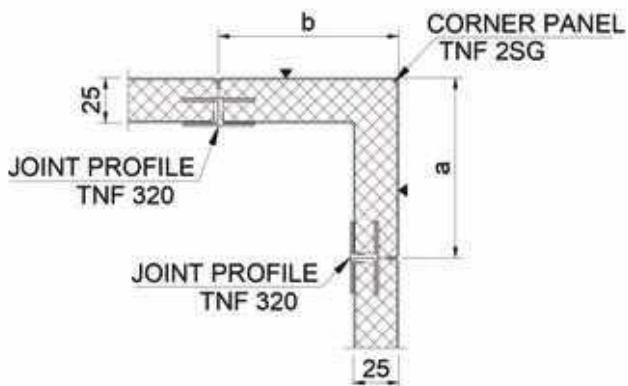
01



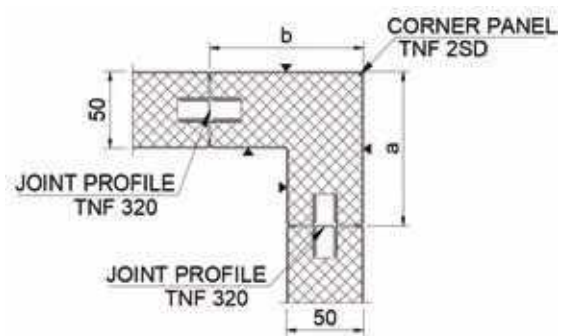
02



03



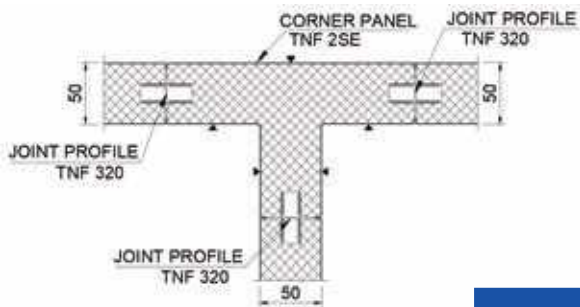
04



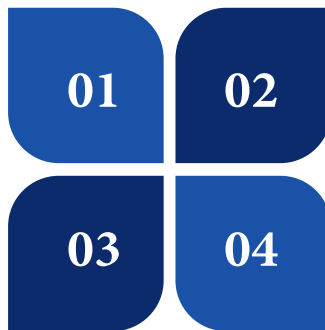
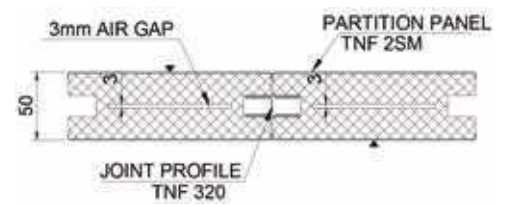


◆ 2S Wall Panels

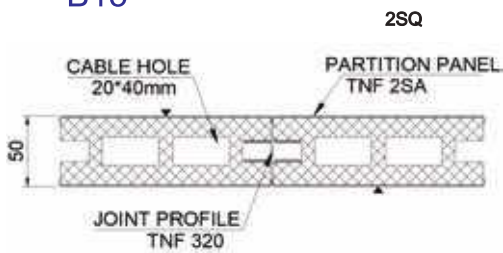
B15



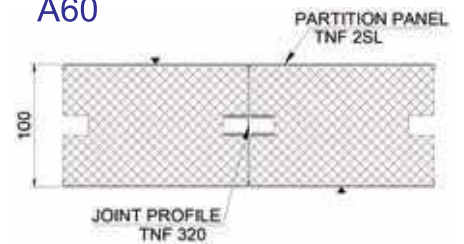
B15



B15



A60







PART 01



















2S Wall Panels

Type	2SF	2SA	2SM	2SL
Thickness (mm)	25	50	50	100
Fire class	B-15	B-15	B-15	A-60
Dimension	Standard width: 600mm, Maximum length: 2500mm			
Weight (kg/m ²)	12.4	16.4	19.2	23.6
Sound reduction (dB)	32	33	44	N/A
Core material	Rock wool	Rock wool	Rock wool	Rock wool
Surface finish	PVC / Painted /Stainless /Magic			

◆ System 2S Wall panels - Modular range

2SA – standard panels For B15 partition & lining		2SM – high noise reduction panels For B15 class partition	
50x600	x	50x600	x
50x550	y	50x550	y
50x500		50x500	
50x450		50x450	
50x400		50x400	
50x350		50x350	
50x300		50x300	
50x250			
50x200			
50x150			
50x100			
2SB – connecting panels For cross sections and straightjoints of 50 to 25 mm walls		2SP – conduit single panels With one cable duct	
50x600	x	50x600	x
50x500	y	50x300	y
50x400			
50x300			
2SF – lining panels For B0 and B15 class lining		2SQ – conduit twin panels With two cable ducts	
25x600	x	50x600	x
25x550	y	50x300	y
25x500			
25x450			
25x400			
25x350			
25x300			
25x250			
25x200			
25x150			
25x100			
		2ST – access panel	
		50x600	x
			y
		2SD – corner panel Standard radius 10	
		50x100/100	
		2SE – Tee panel For jointing 50 mm panels	
		50x200/100	
		2SG – corner panel For jointing 25 mm panels	
		25x200/100	 ★ Please note – inside and outside corners are different
		2SH – Tee panel For jointing 25 mm and 50 mm partition walls	
		25/50x100/100	

◆ System 2S Wall panels

50x75/75	2SU – open end corner For jointing 50 mm panels 	25x75/75	2SV – open end corner For For jointing 25 mm panels 
50x150/75	2SW – open end tee For jointing 50 mm panels 	25/50x75/75	2SJ – open end tee For jointing 25 mm and 50 mm partition walls 
1 mm increments	2SA – standard modular Any width from 200-600 mm available 	custom built	2SA – curved panel Any width from 400-600 mm available 
1 mm increments	2SF – lining Any width from 200-600 mm available 	custom built	2SF – curved panel Any width from 400-600 mm available 
1 mm increments	2SM – high noise reduction Any width from 200-600 mm available 	100x600	2SL – A-60 panel 600 mm width panel 
50x600	2S Aluminium – standard B15 Other widths available 	50x600	2SR – reinforced panel With 3 mm steel inlay 
50x600	2S Aluminium – standard C-Class Other widths available 	25x600	With U-profile 
50x100/100	2S Aluminium – corner panel 	50x600	50x600
50x200/100	2S Aluminium – Tee panel 	25x600	25x600

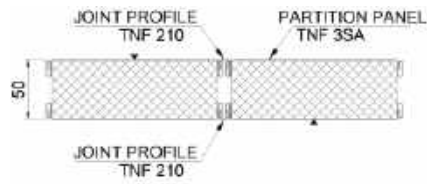


◆ 3S Wall Panels

01



02



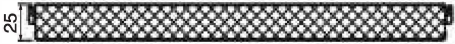
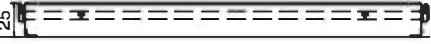
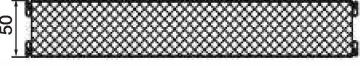
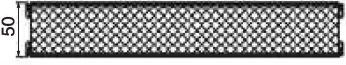
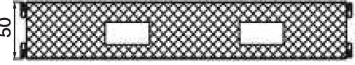

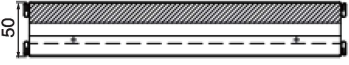
◆ 3S Wall Panels

Type	3SF	3SA
Thickness (mm)	25	50
Fire class	B-15	B-15
Dimension	Standard width:550mm; Maximum length: 2500mm	
Weight (kg/m ²)	12.3	15.8
Sound reduction (dB)	34	36
Core material	Rock wool	Rock wool
Surface finish	PVC /Painted /Stainless /Galvanized	

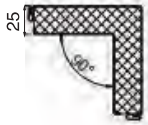
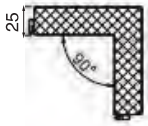
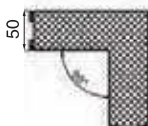
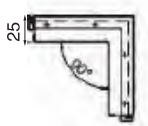
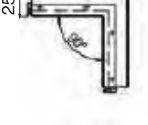
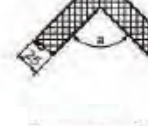




PART 01

◆ 3S Wall Panels

Illustration	Description
	3SF Standard Panel
	3SF Wet Panel
	3SA Standard Panel
	3SA Reinforcement Panel
	3SQ Cable Tray Panel
	3SA Wet Panel
	3SA Single Side Wet Panel

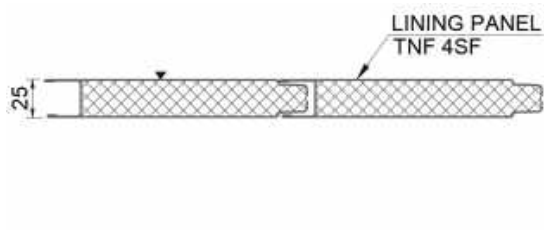
◆ 3S Wall Panels

Illustration	Description
	3SG X Side Standard Panel
	3SG Y Side Standard Panel
	3SD Standard Panel
	3SG X Side Wet Panel
	3SG Y Side Wet Panel
	3SG Irregular Panel
	3SD X Side Wet Panel
	3SD Y Side Wet Panel

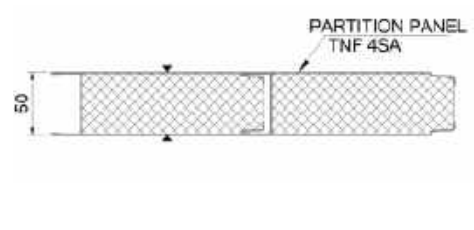


◆ 4S Wall Panels

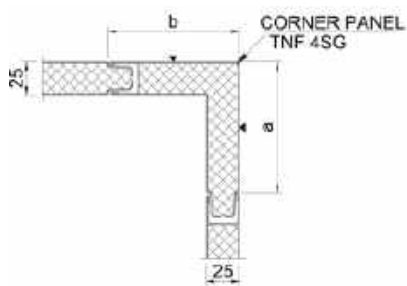
01



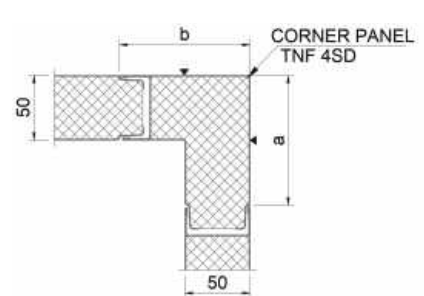
02



03



04

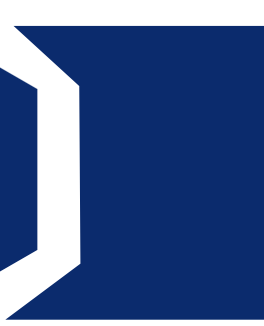
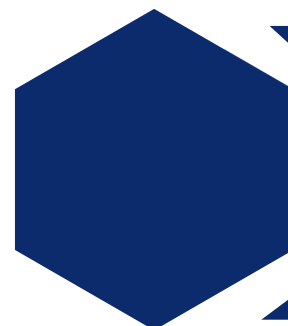
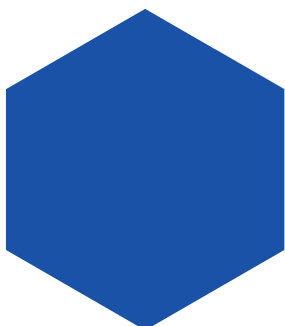


PART 01

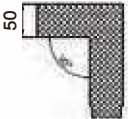
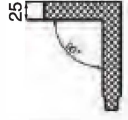
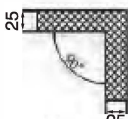
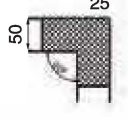

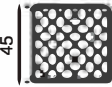

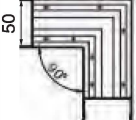
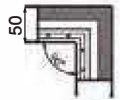


◆ 4S Wall Panels

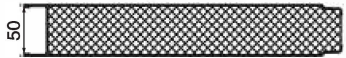

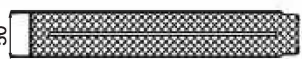





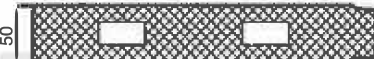
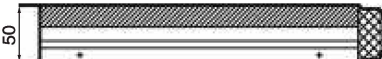

Type	4SF	4SA	4SG	4SD
Thickness (mm)	25	50	25	50
Fire class	B-15	B-15	B-15	B-15
Dimension	Standard width:550mm; Maximum length: 2500mm			
Weight (kg/m ²)	12.1	15.9	12.1	15.9
Sound reduction (dB)	35	36	35	36
Core material	Rock wool	Rock wool	Rock wool	Rock wool
Surface finish	PVC/Painted /Stainless/Galvanized			



◆ 4S Wall Panels

Illustration	Description
	4SD Standard Panel
	4SG Standard Panel
	4SH Standard Panel
	4SJ Standard Panel
	4SE Standard Panel
	4SA Profile
	4SF Profile
	4SD Symmetrical Wet Panel
	4SD Asymmetrical Wet Panel

◆ 4S Wall Panels

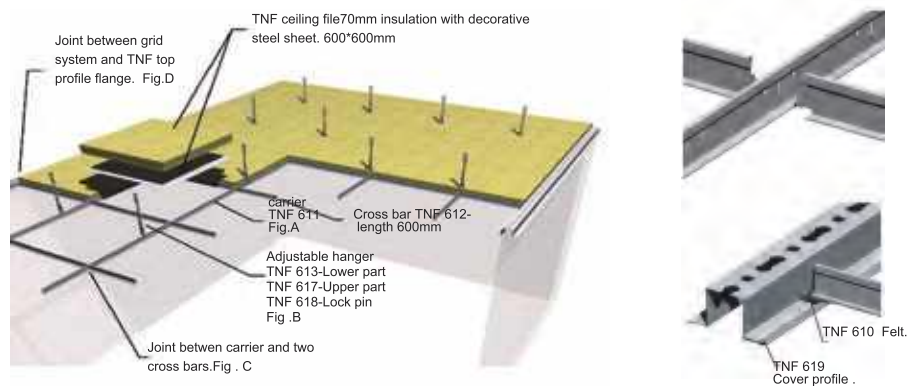
Illustration	Description
	4SA Standard Panel
	4SF Standard Panel
	4SM High Noise Reduction Panel
	4SF Reinforcement Panel
	4SA Reinforcement Panel
	4SC Standard Panel
	4SB Standard Panel
	4SA Double Side Wet Panel
	4SQ Cable Tray Panel
	4SA Single Side Wet Panel
	4SF Wet Panel

PART 02

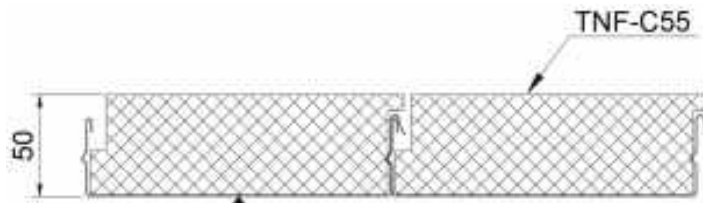
Ceilings Product Introduction

TNF Ceiling C40,C50

01



02



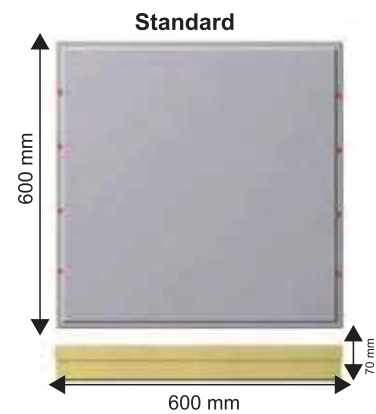


TNF Ceiling C40,C50

Type	C46	C55
Thickness (mm)	70	50
Fire class	B-15	B-15
Dimension	Standard: 600*600 mm	Standard width:300mm; Maximum length: 3000mm
Weight (kg/m ²)	13	9.5
Sound reduction (dB)	N/A	44
Core material	Rock wool	Rock wool
Surface finish	PVC /Painted /Stainless	

◆ TNF Ceiling C46

Fire class	Dimensions mm	Thickness mm	Weight incl. profiles	Surface
B15	600 x 600	70	13,0 kg/sqm	TNF Magic-faced steel and rock wool slab



Fire class	Part code	Standard length mm	Average consumption of parts per sqm ceiling
Cover profile	TNF 619	2400	See below 1
Hanger	TNF 611	3000	2,72 pcs/sqm
Hanger	TNF 612	600	1,36 pcs/sqm
Hanger	TNF 616	200-1000	1,36 pcs/sqm

◆ Installation procedure

Fig. A



Fig. B

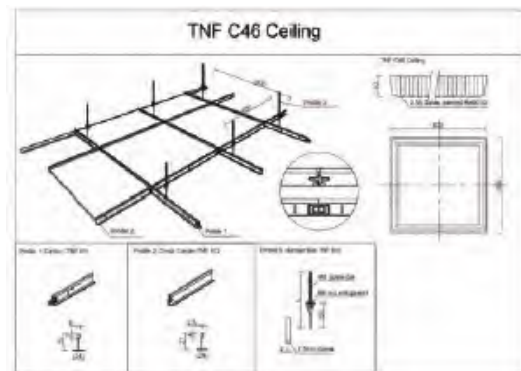
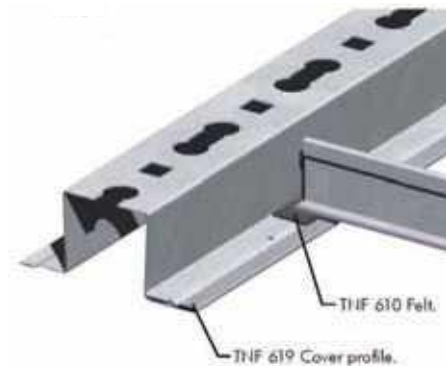


Fig. C



Fig. D



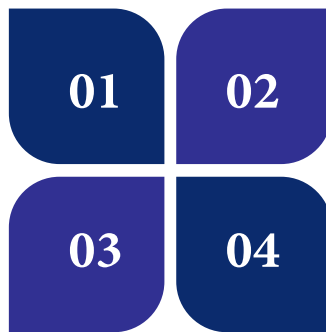
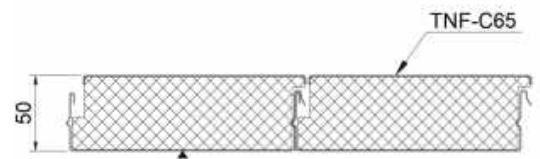


◆ TNF Ceiling C60

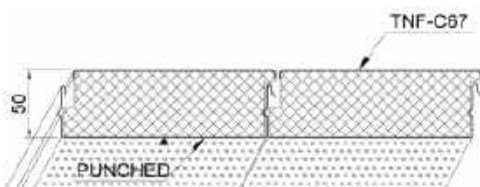
B15



B15



B15



B15



PART 02

◆ TNF Ceiling C60

Type	C64	C65	C67	C68
Thickness (mm)	40	50	50	30
Fire class	B-15	B-15	B-15	B-15
Dimension	standard width:300/600mm, Maximum length:4000mm			
Weight (kg/m ²)	15	19	18.1	15.8
Sound reduction (dB)	N/A	45	N/A	N/A
Core material	Rock wool	Rock wool	Rock wool	Rock wool
Surface finish	PVC /Painted /Stainless			

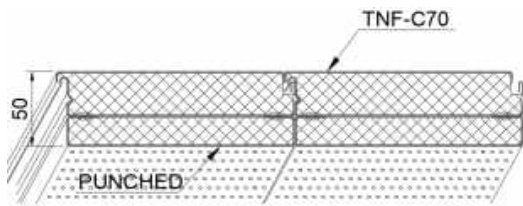




◆ TNF Ceiling C70

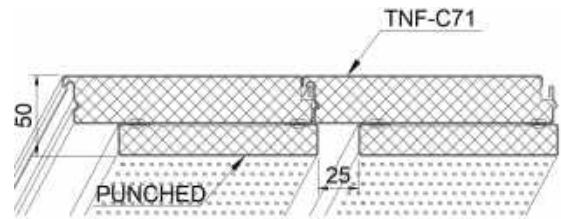
B15

01



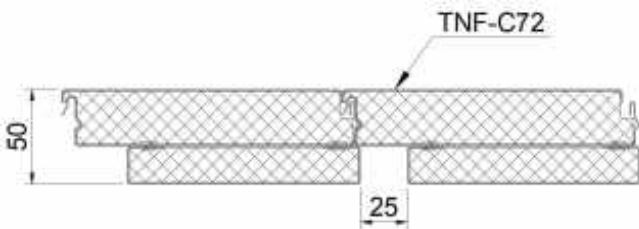
B15

02



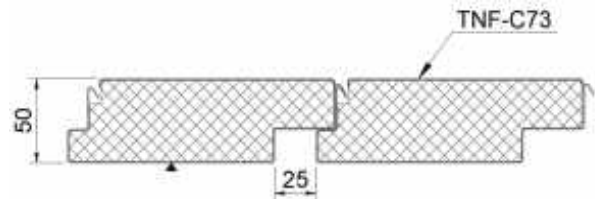
B15

03



C-CLASS

04

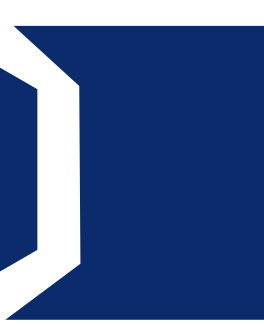
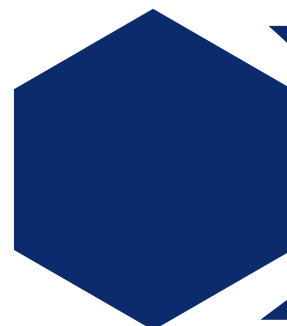
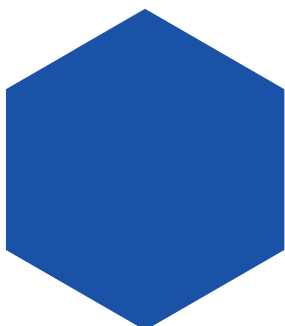


PART 02

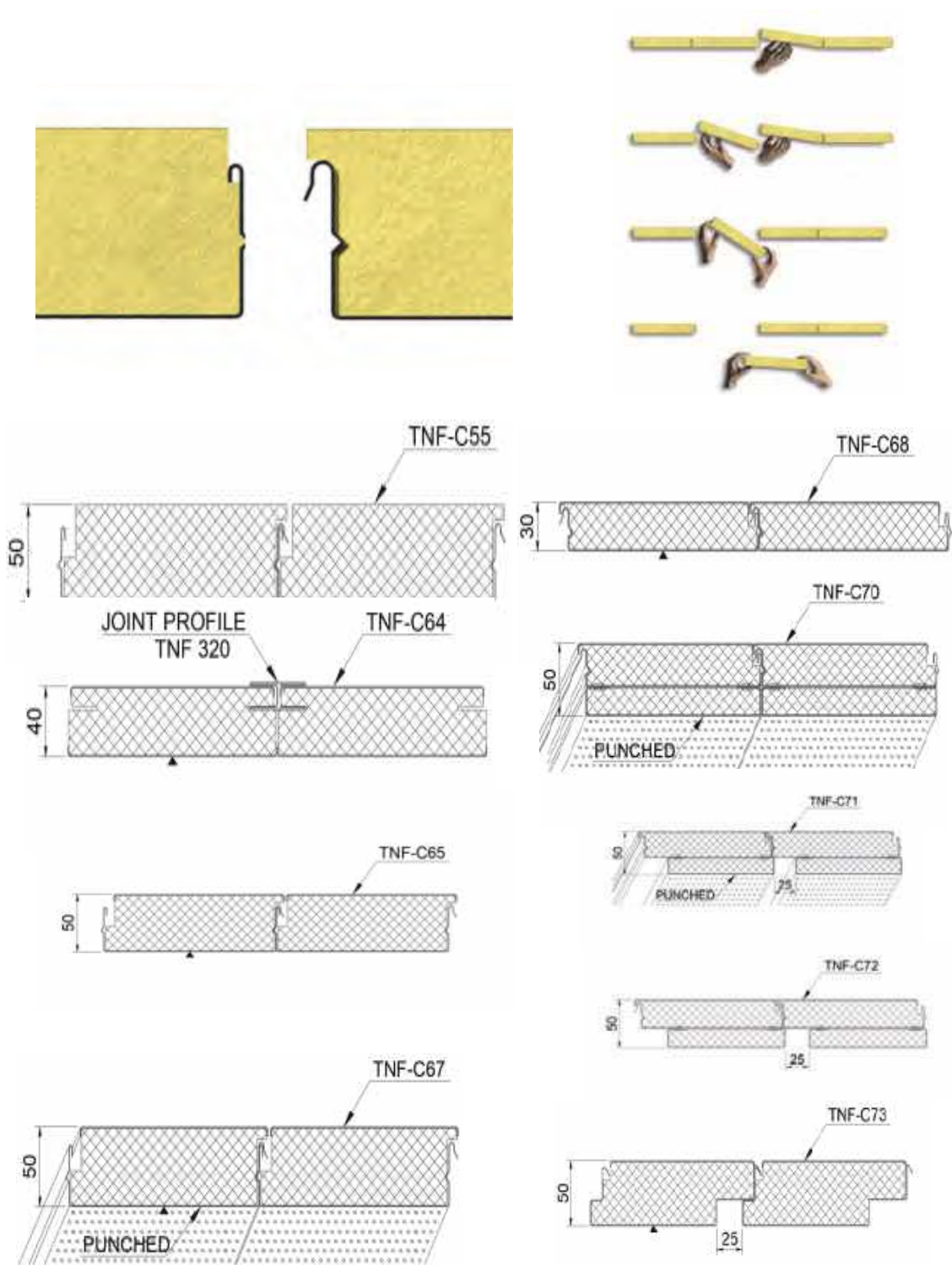


◆ TNF Ceiling C70

Type	C70	C71	C72	C73
Thickness (mm)	50	50	50	50
Fire class	B-15	B-15	B-15	C-Class
Dimension	Standard width: 300mm, Maximum length: 3000mm			
Weight (kg/m ²)	22.9	21.7	22.6	14.8
Sound reduction (dB)	51	50	47	N/A
Core material	Rock wool	Rock wool	Rock wool	Rock wool
Surface finish	PVC / Painted /Stainless			



◆ Removable ceiling panel



PART 03

Fire Doors Product Introduction

Standard A Fire Doors





Standard A Fire door

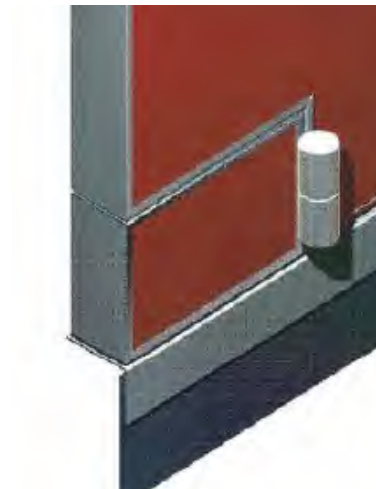
Standard A Fire Doors				
Type	Z frame for single door	Z frame for single door	Box frame Single door	Box frame Double door
Thickness (mm)	38	48	48	48
Fire class	A-15	A-60	A-60	A-60
Max.size of door clear opening (mm)	1200x2200 (WxH)	1400x2200 (WxH)	1050x2100 (WxH)	2100x2200 (WxH)
Core material	Rock wool	Rock wool	Rock wool	Rock wool
Surface finish	PVC /Painted / Stainless			

◆ **A60 Class Sliding door**



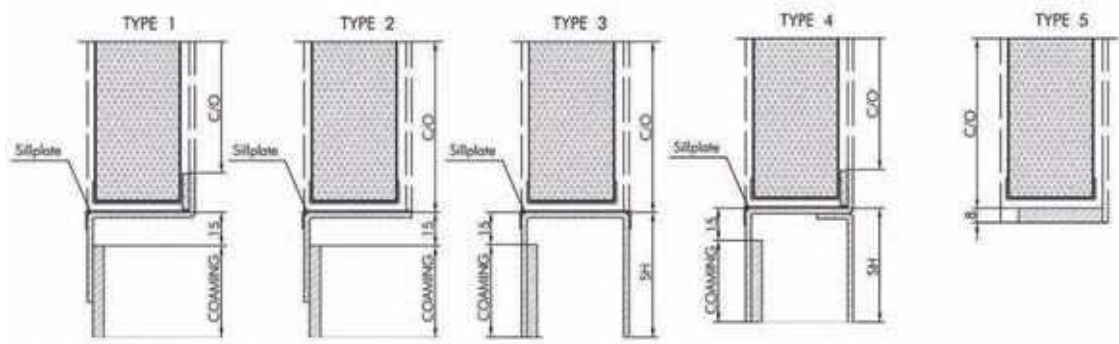
**Max Clear Opening:
A Class Door: 3200 x 2400 mm**

Hoseport

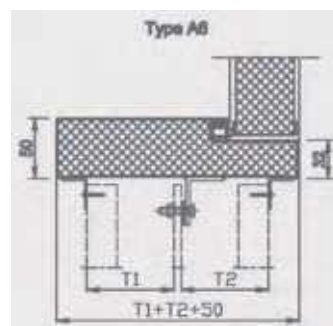
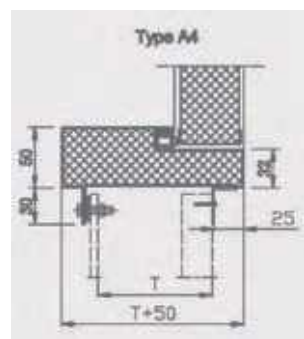
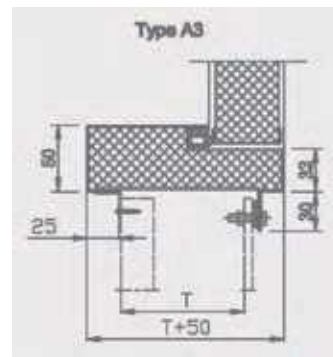
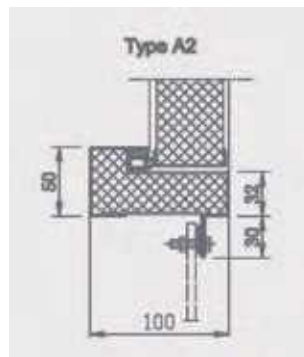


◆ A-Door frames and sills

Z type sills



Box type frames and sills



◆ Standard B Fire doors



PART 03

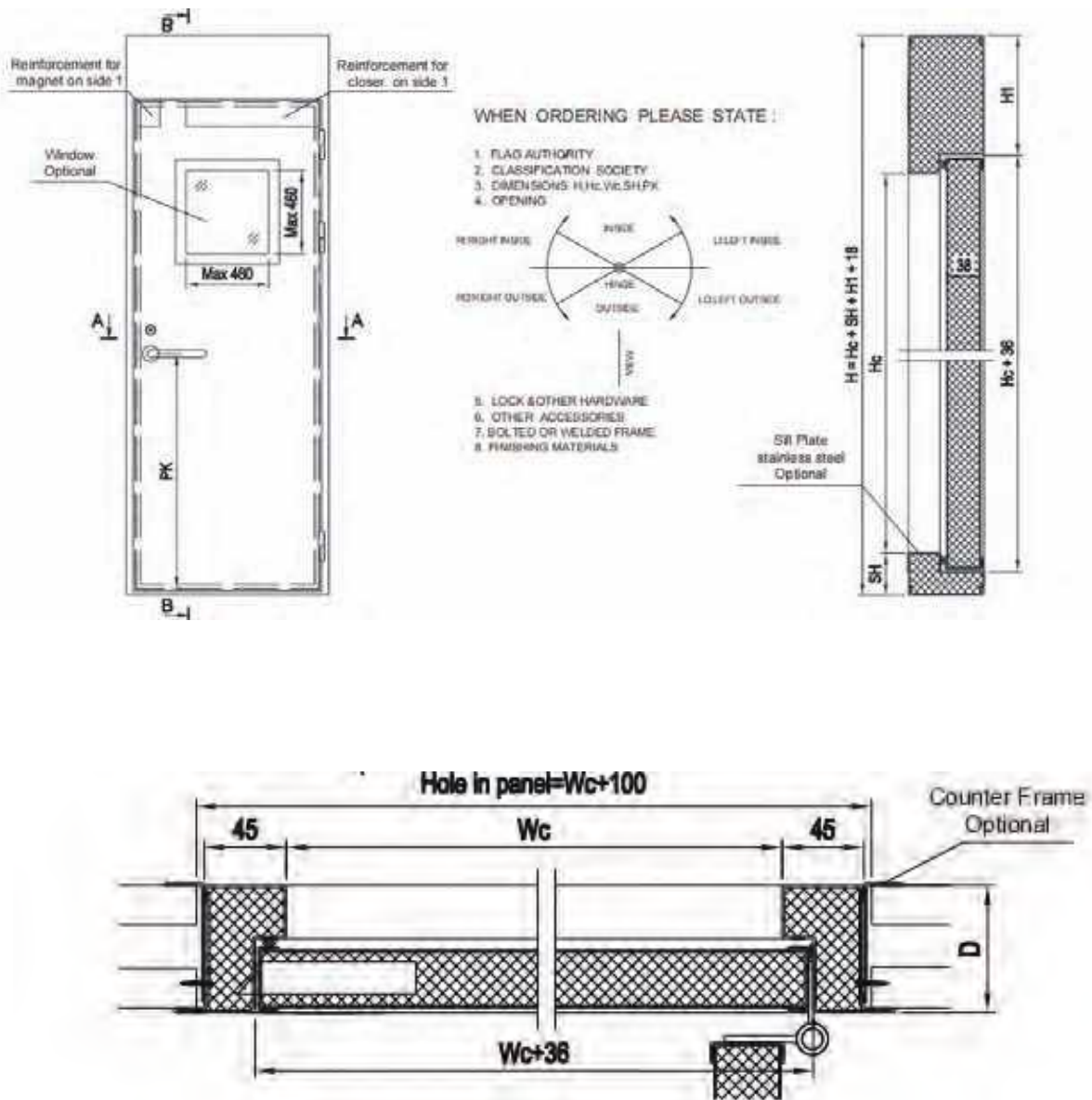
◆ Standard B Fire doors

Standard B Fire doors					
Type	B15HD-Single Hinged(B-15) Single door	B15 Double Fire door	B15 Single-leaf Fire door	B30 Single Fire door	B15 Single-HNR Fire door
Thickness (mm)	38	38	45	54	45
Fire class	B-15	B-15	B-15	B-30	B-15
Max.size of door clear opening (mm)	1100x2200 (WxH)	2000x2100 (WxH)	1050x2100 (WxH)	1000x2100 (WxH)	1000x2100 (WxH)
Core material	Rock wool	Rock wool	Rock wool	Rock wool	Rock wool
Surface finish	PVC /Painted /Stainless				

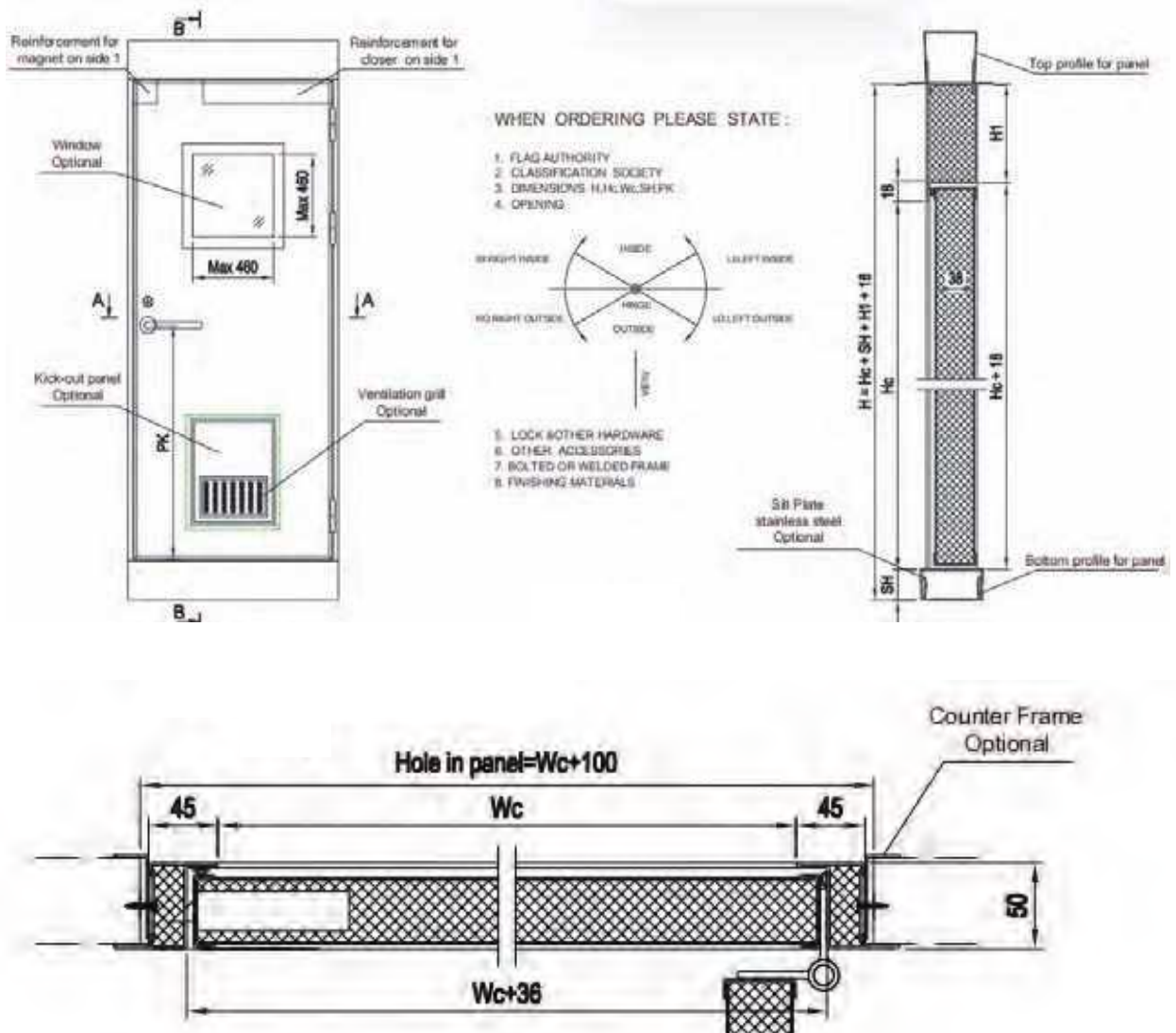




◆ B15 Box Frame



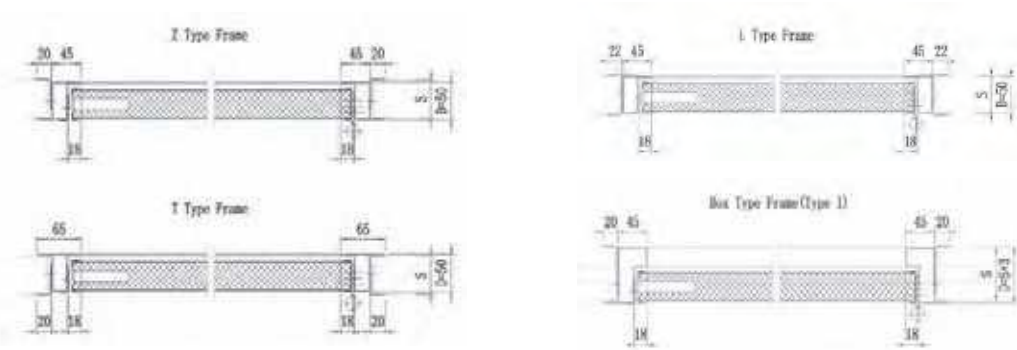
◆ B15 Z Frame



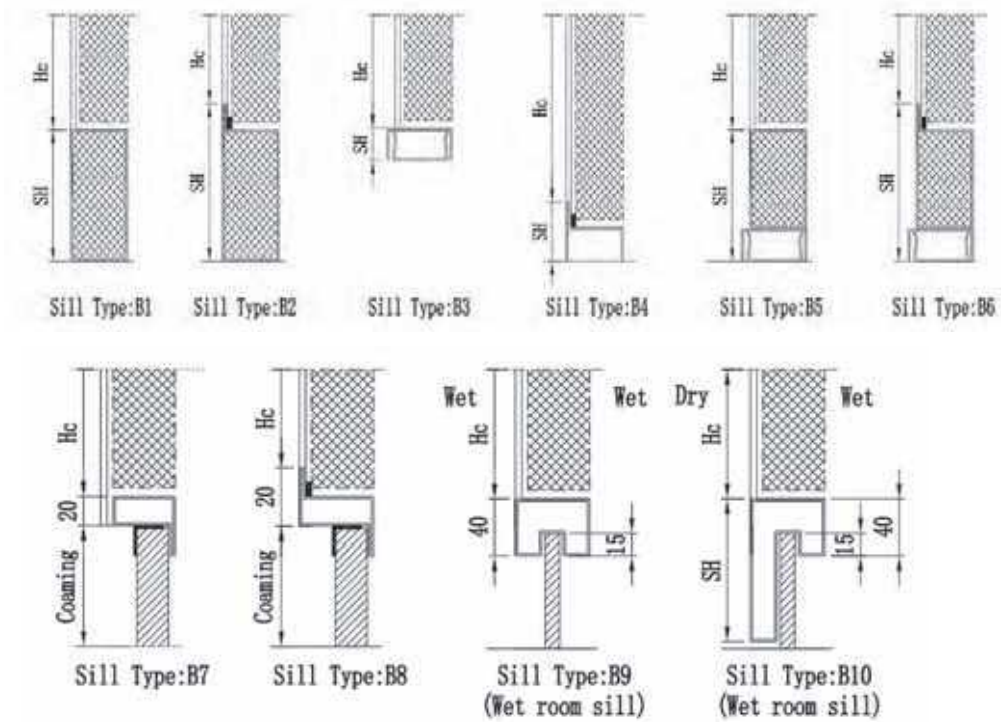


◆ B-&C-Door frames and sills

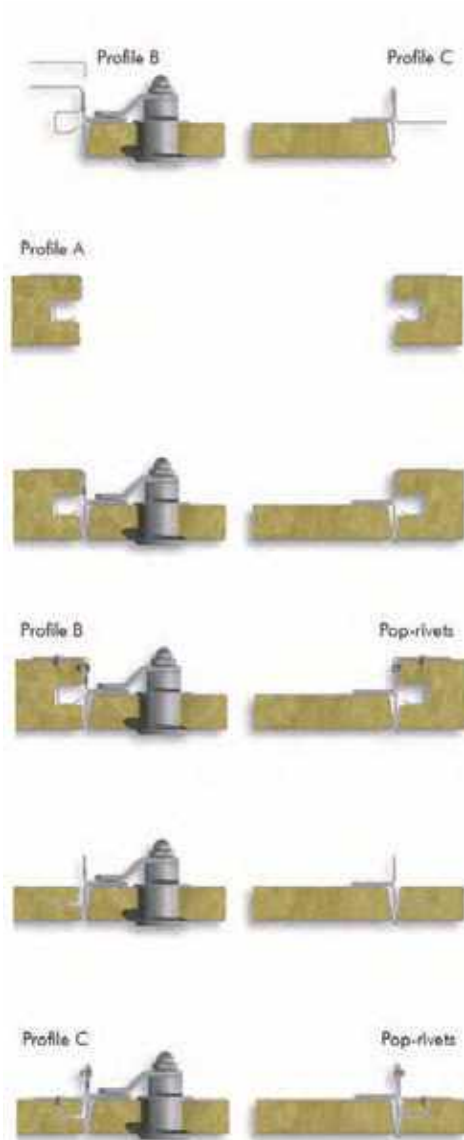
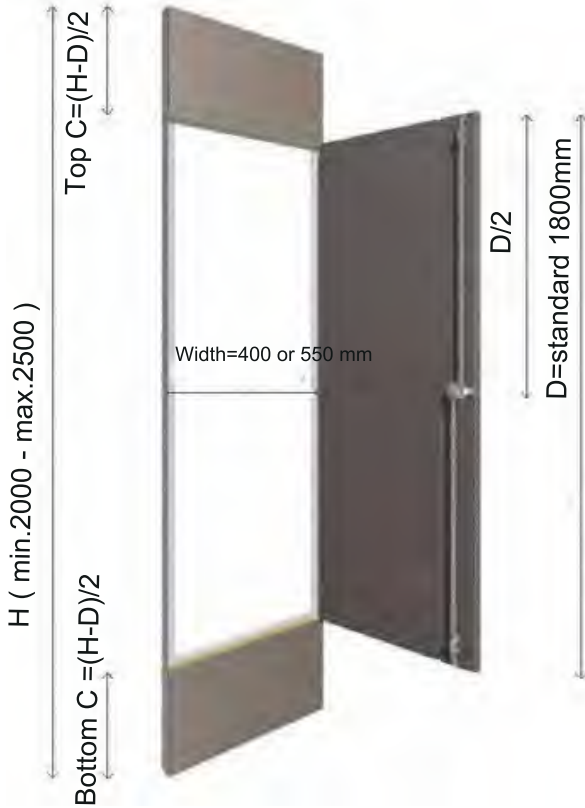
Frames



Sills



◆ TNF HB6 Inspection Door



W=standard550mm
 Max.800mm



◆ Door Surfaces

01

Painted



02

Stainless



03

PVC



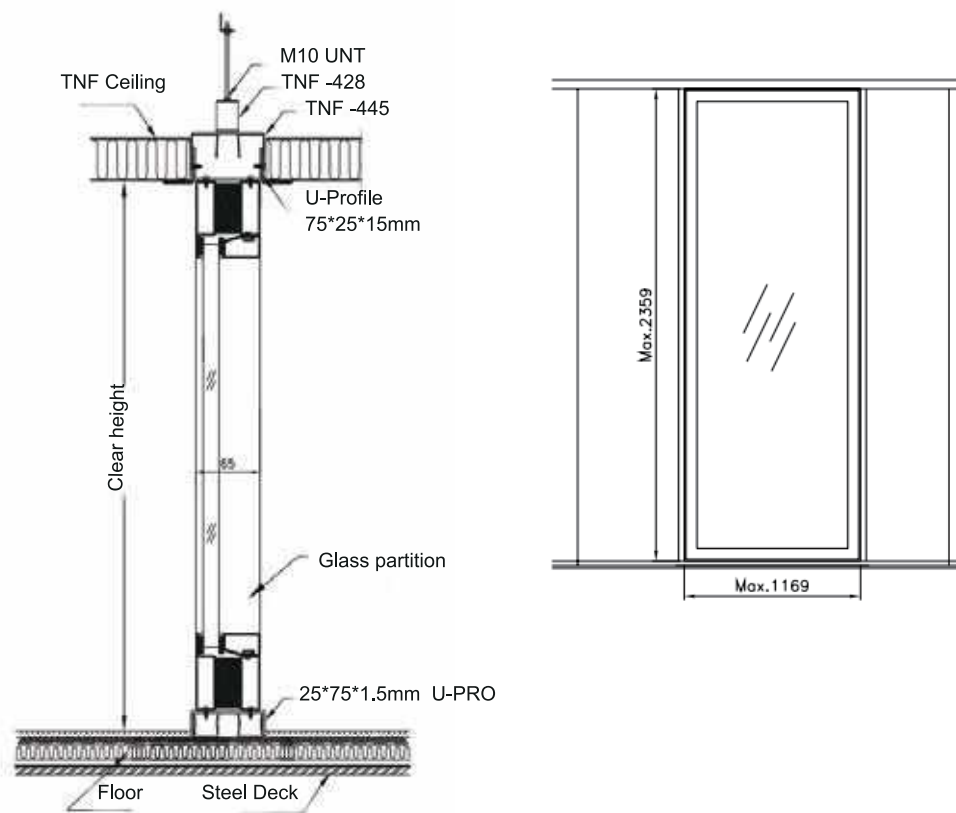
◆ TNF Glass partition



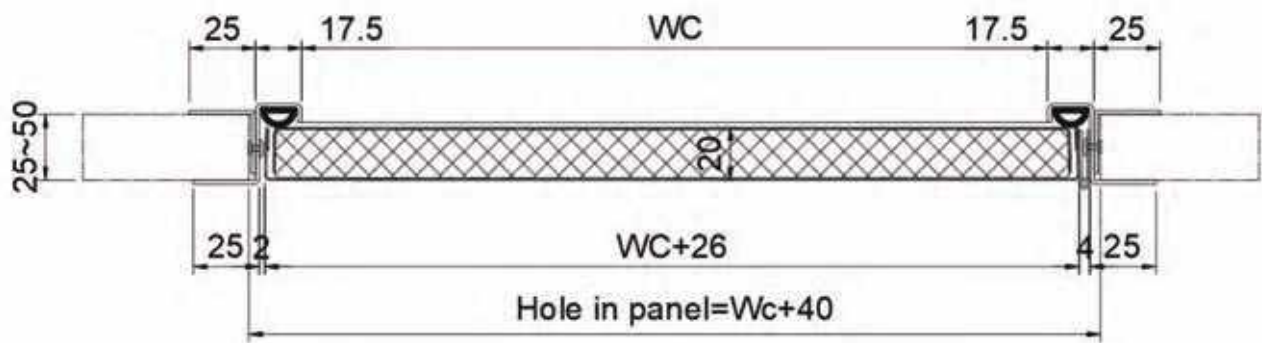


◆ TNF Glass partition

	Width	Height
Single Leaf Glass Door	929	2249
Left Side Glass Panel	1169	2359
Top Left Glass Panel	1169	359
Top Right Glass Panel	929	359

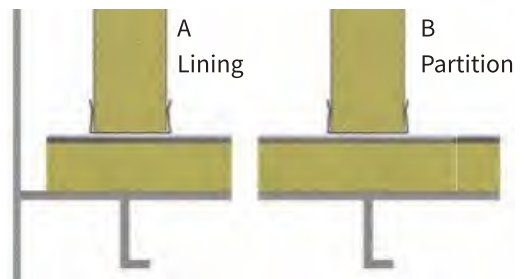
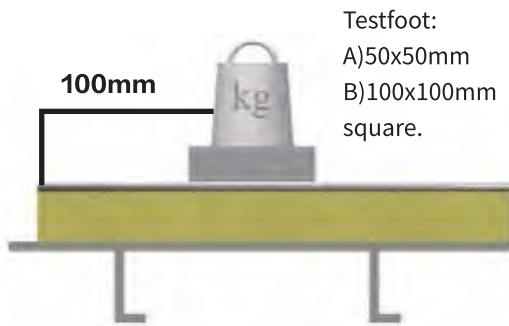
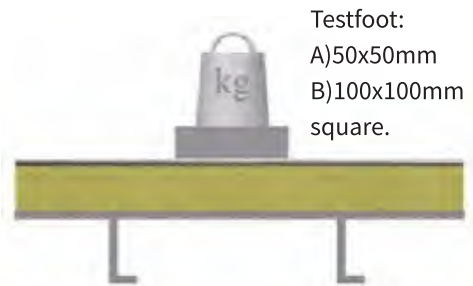
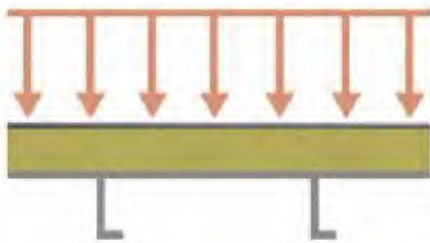
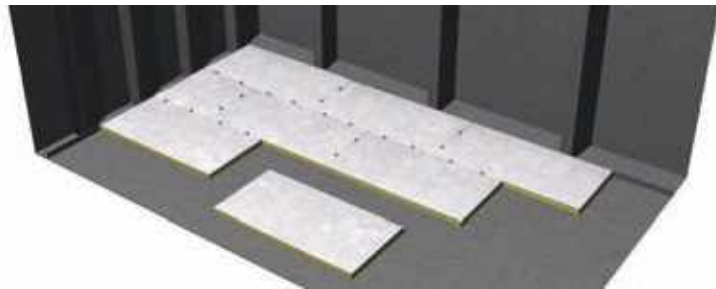
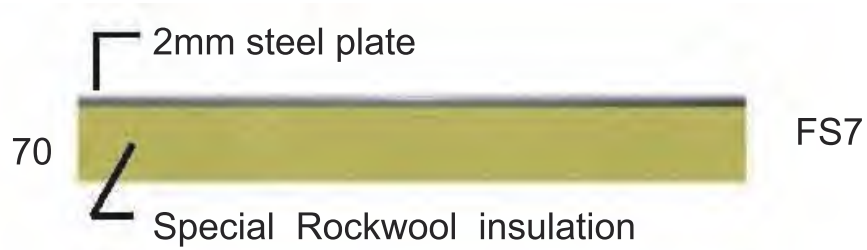


◆ TNF B15 Ceiling Hatches





◆ TNF Floating Floor System



PART 04

Wet Units Product Introduction

TNF Wet Units

TNF wet-unit in addition to the safety/comfort function, the product has added a new function, namely disinfection function. The addition of this function further improves the practicality and applicability of the product.

The lightweight unit design, compared to the traditional design, has a weight reduction of 70 kg/m³.



Product qualification



Disinfective equipment record



Medical device registration and record



Medical safety regulations and EMC certification



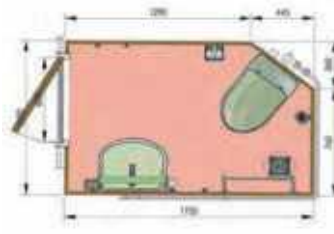
TNF Wet Unit Finishes



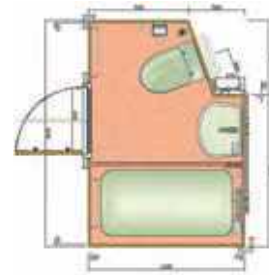
◆ TNF Wet Unit Examples



Toilet Module



Toilet Module



Bath Module



Bath Module



Shower Module



Shower Module



Shower Module



Shower Module



Shared Module

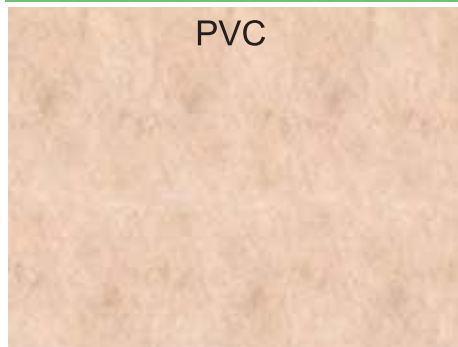
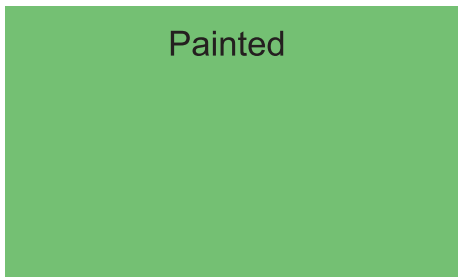
PART 04



◆ Hardware and Sanitaryware

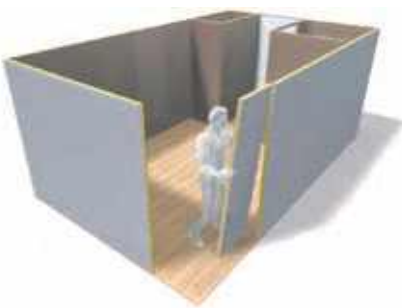
Hardware sanitaryware can be configured according to the needs of the owner.

sanitaryware



PART 05

Prefabricated cabins Product Introduction





THE ORIGINAL MARINE ACCOMMODATION SYSTEM

Website: <https://inexa-tnf.com/>

E-mail: info@inexa-tnf.com

Office China: 0513-85175060

Office Denmark: + 45 8832 7819